

Eclipse 50

PENDANT



SPECIFICATION SHEET

Eclipse 50



Model 1670

Type
P Pendant

Size

24	24.8" [631mm]
36	36.3" [921mm]
48	47.7" [1211mm]
60	59.1" [1500mm]
72	70.5" [1790mm]
Custom	

Wattage^{1,2}

Direct ³	Indirect ⁴
24"	
LD 18W (2400lm)	LI 18W (2400lm)
MD 36W (4460lm)	MI 36W (4460lm)
36"	
LD 27W (3600lm)	LI 27W (3600lm)
MD 54W (6685lm)	MI 54W (6685lm)
48"	
LD 36W (4800lm)	LI 36W (4800lm)
MD 72W (8915lm)	MI 72W (8915lm)
60"	
LD 45W (6000lm)	LI 45W (6000lm)
MD 90W (11145lm)	MI 90W (11145lm)
72"	
LD 54W (7200lm)	LI 54W (7200lm)
MD 108W (13375lm)	MI 108W (13375lm)

XD – No Direct XI – No Indirect

Color Temp⁵

30	3000
35	3500
40	4000

Voltage

U	120/277 Volt
1	120 Volt (DFPN only – see section Control)

Driver

RD	Remote
ID	Integral (in canopy)

Control - RD

S	Non-dim
D010	0-10V 10%
DFPN	Lutron Forward Phase 1% 120 Volt
L3DAE	Lutron Hi-lume 1% EcoSystem
L3DOE	Lutron Hi-lume Premier 0.1% EcoSystem
X	If integral driver is selected

Control – ID (in canopy - if selected)

S	Non-dim
D010	0-10V 10%
X	If remote driver is selected

Diffuser Bottom

SW	Satin opal acrylic
CB	Aluminum – painted to match the fixture

Diffuser Top

SA	Satin clear acrylic
CT	Aluminum – painted to match the fixture

Finish⁶

19	Painted anodized aluminum - RAL 9006 matte
21	Painted white - RAL 9010 matte
26	Painted black - RAL 9005 matte
22	Painted custom color

Mounting

SCRD	Straight cables - remote driver
SCID	Straight cables - driver in canopy
CERD	Center canopy - remote driver
CEID	Center canopy - driver in canopy
PC	Straight power cables - remote driver

Circuit

CS	Circuit - Single
CD	Circuit - Dual

Power Cable⁷

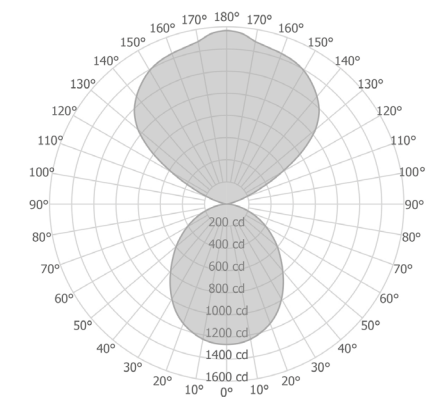
CC	Clear insulated cable (standard)
WC	White cable
BC	Black cable

Notes

- Nominal lumens value specified
- Linear LED board, constant voltage 24 Volt
- For no Direct light specify XD
- For no Indirect light specify XI
- 90+ CRI standard
- Canopy finish matches housing
- 96" standard cable length

Example fixture number:

1670 – P – 24 – LD – LI – 30 – U – RD – S – X – SW – SA – 19 – SCRD – CS – CC



Eclipse 50

PENDANT

A Direct/Indirect luminaire, the Eclipse 50 will fill any space with light and create a voluminous effect. Eclipse 50 is available in pendant and surface versions with evenly illuminated satin opal lens. Offered in a wide variety of standard diameters and lumen packages.



Size	
24	24.8" [631mm]
36	36.3" [921mm]
48	47.7" [1,211mm]
60	59.1" [1,500mm]
72	70.5" [1,790mm]
Custom	



* 50mm x 50mm fixture body profile
* Straight cables or center canopy mounting options available

Eclipse 50

PENDANT



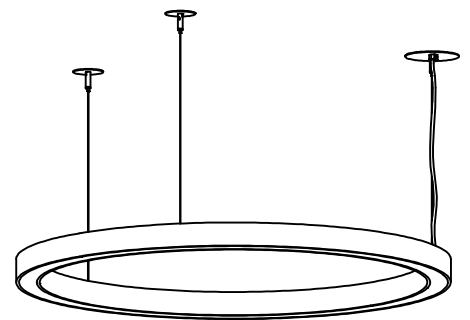
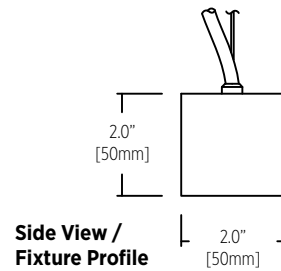
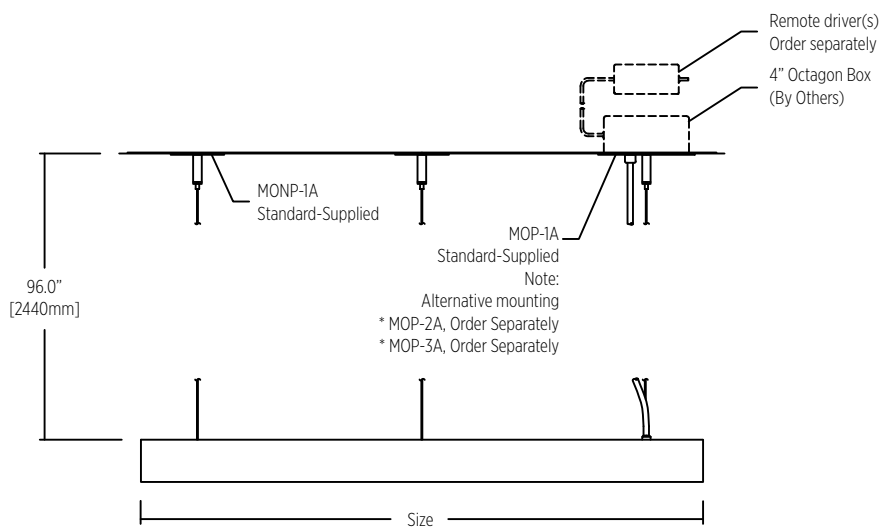
SPECIFICATION SHEET

Eclipse 50



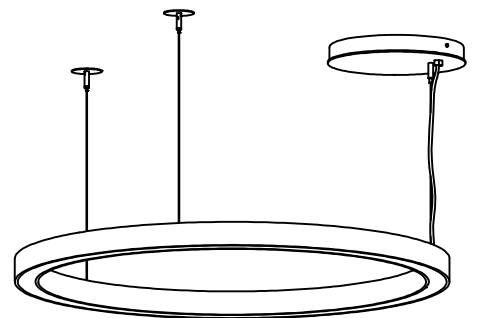
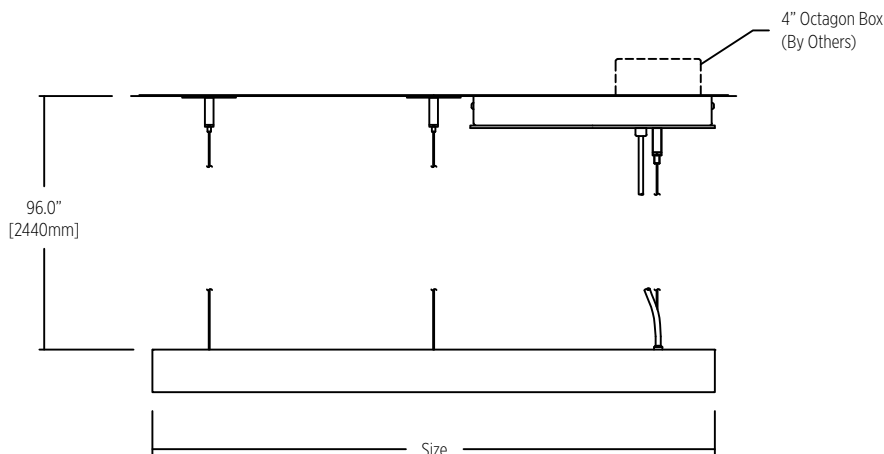
INSTALLATION TYPE

Straight cables with remote driver



Note:
See page 4 & 5 for mounting options

Straight cables with surface mounted canopy with integral driver - Order separately



Eclipse 50

PENDANT

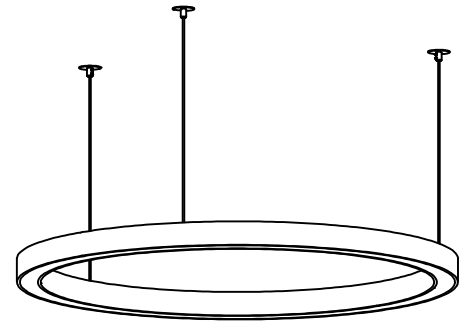
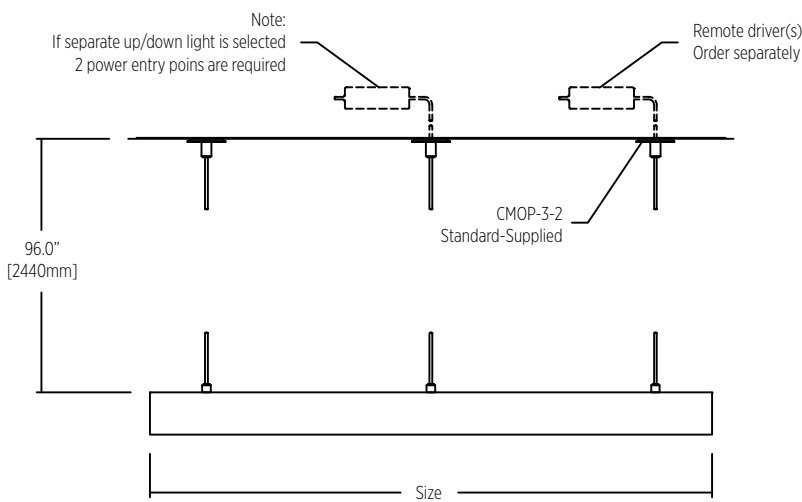


SPECIFICATION SHEET

Eclipse 50

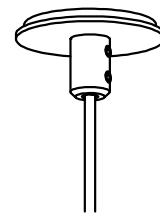
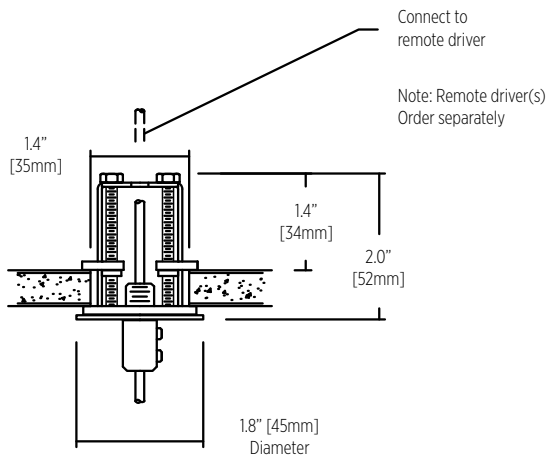


Straight power cables with remote driver



Note:
See below for mounting options

CMOP-3-2 Standard - Supplied



Mounting Option Power 3-2
Suspension Assembly
Installed in drywall or wood ceiling

Eclipse 50

PENDANT



SPECIFICATION SHEET

Eclipse 50



Center canopy with remote driver

Remote driver(s)
Order separately

4" Octagon Box
(By Others)

** Provided with 96" [2440mm]
suspension and power cords

Size

**Center canopy
5.9" [150mm] Diameter**
Fixture mounts directly to
4" octagon box - supplied
and installed by others

Center canopy with integral driver

4" Octagon Box
(By Others)

** Provided with 96" [2440mm]
suspension and power cords

Size

**Center canopy
10" [254mm] Diameter**
Fixture mounts directly to
4" octagon box - supplied
and installed by others

Minimum mounting height per fixture size for center canopy options:

Fixture Size (Diameter)	Minimum Mounting Height
24" [631mm]	15" [380mm]
36" [921mm]	20" [510mm]
48" [1,211mm]	30" [760mm]
60" [1,500mm]	40" [1,015mm]
72" [1,790mm]	50" [1,270mm]

Eclipse 50

PENDANT



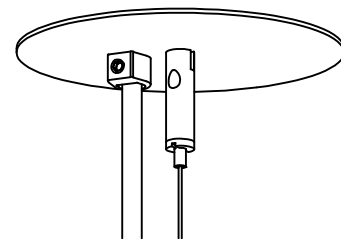
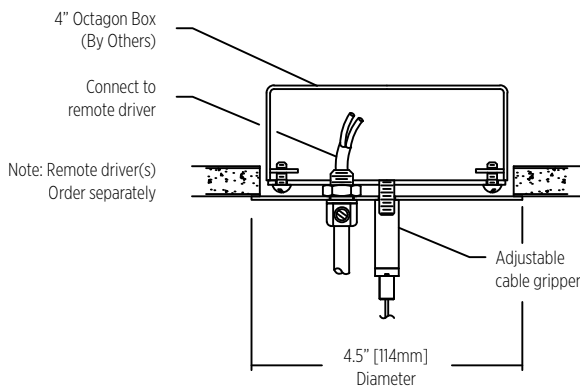
SPECIFICATION SHEET

Eclipse 50



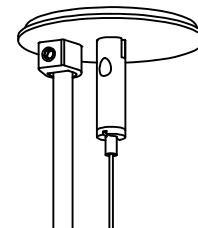
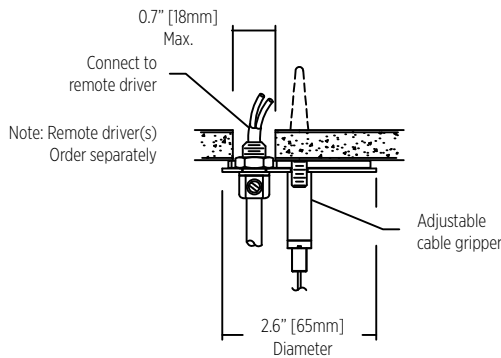
STRAIGHT CABLES MOUNTING OPTION - POWER

MOP-1A Standard - Supplied



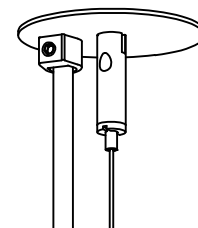
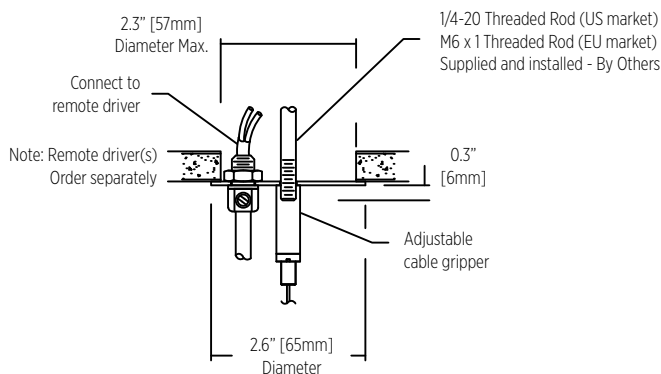
Mounting Option Power 1A
Octagon Box (By Others)
Installed in drywall, wood or concrete ceiling

MOP-2A-1 Order Separately



Mounting Option Power 2A-1
Suspension assembly
Installed in drywall or wood ceiling

MOP-2A-2 Order Separately



Mounting Option Power 2A-2
Suspension assembly
Installed in drywall or wood ceiling

Eclipse 50

PENDANT

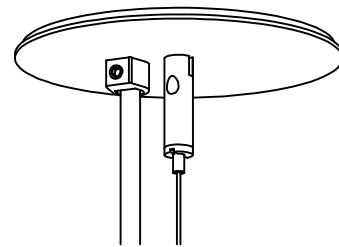
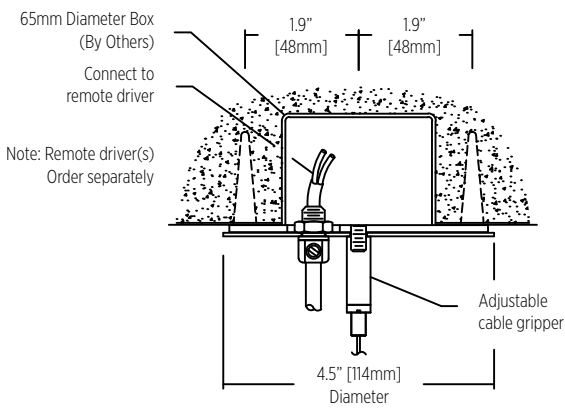


SPECIFICATION SHEET

Eclipse 50



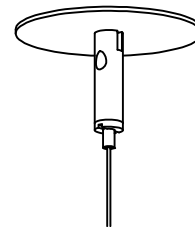
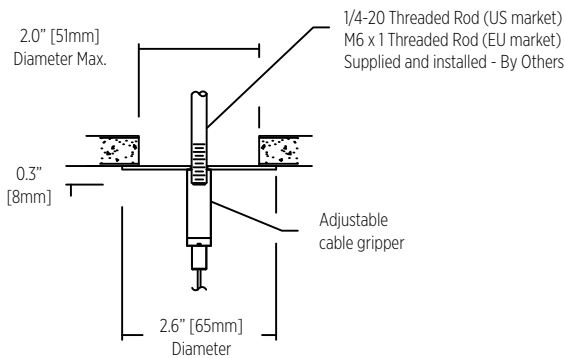
MOP-3A Order Separately



Mounting Option Power 3A
65mm Diameter Box (By Others)
Installed in drywall, wood or concrete ceiling

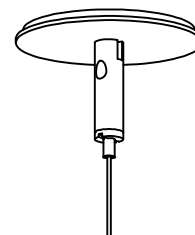
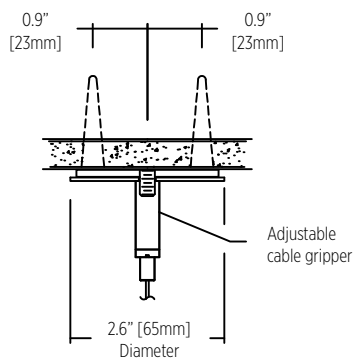
STRAIGHT CABLES MOUNTING OPTION - NON POWER

MONP-1A-1 Standard - Supplied



Mounting Option - Non Power
Threaded Rod installed
to structural ceiling (By Others)

MONP-1A-2 Alternative - Supplied



Mounting Option - Non Power
Suspension Assembly
Installed in drywall, wood or concrete ceiling